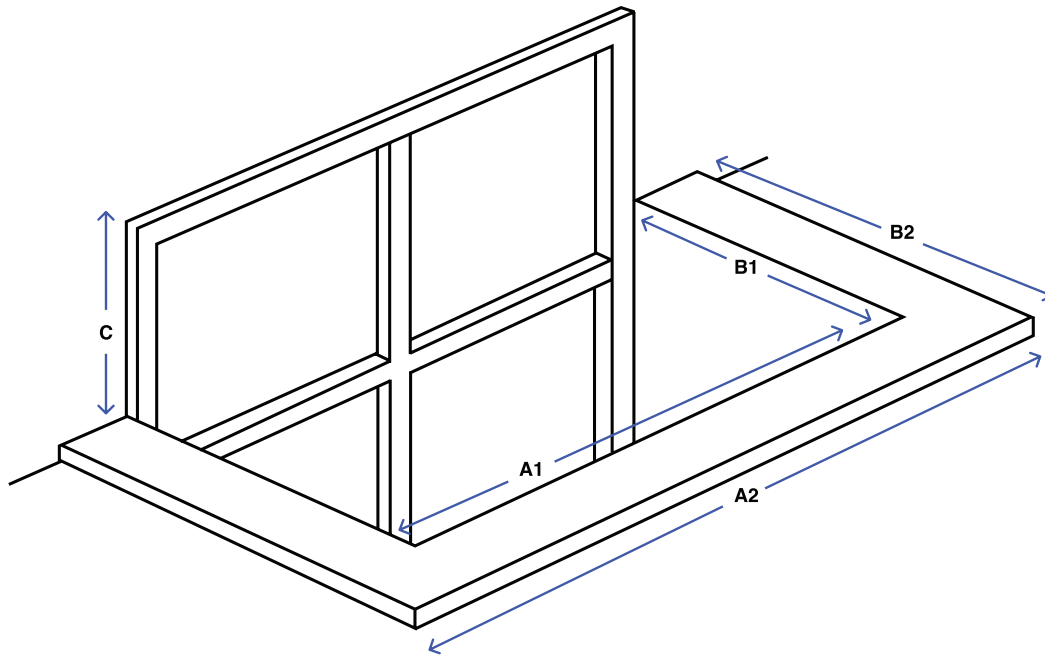


Rectangular Window Well Cover



Note:
Do NOT measure the existing door

Use the illustration above as a guide to assist you while you take the required measurements below.

Please measure the actual foundation since any old doors will be removed and the new door will mount directly to the foundation and house wall. In addition, it is important to measure in a variety of places in the even that the foundation has cracked and/or shifted.

DIMENSIONS

A1 _____ A2 _____ B1 _____ B2 _____
C _____

